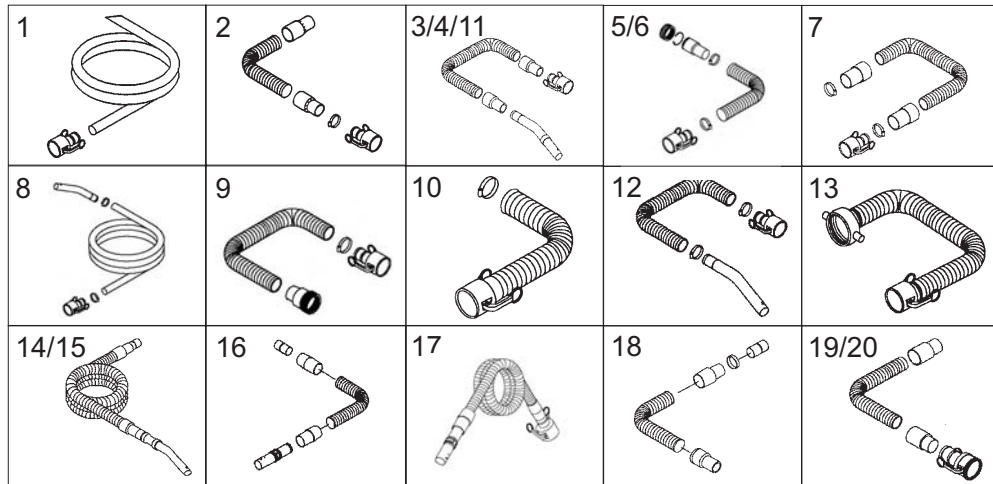


**OPTIONAL HOSE ASSEMBLIES
TO BE USED WITH CLEANROOM
VACUUM CLEANER SYSTEMS**



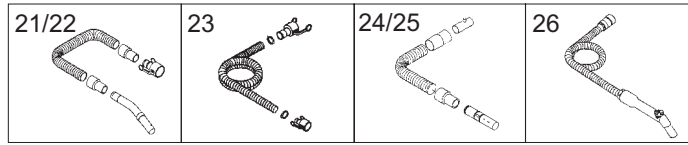
1	212211	Clear Urethane suction hose with smooth interior and exterior. $\phi 1''$ x 8'. For use with mercury separator	
2	212215	Clear Urethane suction hose assembly with $\phi 1.5''$ PVC camlock on one end and $\phi 1.5''$ hose cuff on the other end. 10'. For MRV-15 Series and MRV-16 (4W) SS	
3	323403	Clear Urethane suction hose with S/S** ends. SD*. Abrasion resistant, very flexible and light weight. $\phi 1.25''$ x 10'. For CWR models with stainless steel recovery tanks	
4	323404	Clear Urethane suction hose. Abrasion resistant, very flexible and light weight. $\phi 1.25''$ x 10'. For CWR models with polyethylene recovery tanks	
5	381427	Clear Urethane suction hose with S/S** female camlock and S/S** female screw type. SD*. $\phi 1.5''$ x 12.5'. For CD-1500 Series	
6	381427B	Clear Urethane suction hose assembly with $\phi 1.5''$ S/S** female screw type connector for $\phi 1.5''$ accessories and S/S** female camlock. SD*. $\phi 1.5''$ x 12.5'. For CD-3000 Series	
7	500395B	Clear Urethane suction hose with aluminum female camlock on one end. $\phi 2''$ x 12.5'. For CD-5000 STD Series	
8	323455	EPDM rubber suction hose with S/S** ends, with smooth interior and exterior. SD*. Autoclavable. $\phi 1.25''$ x 10'. This hose can resist high temperatures. NB. This hose is very rigid. For CWR Series and EXP1/SS CR Series	
9	381385	EPDM rubber suction hose assembly with S/S** female camlock and S/S** female screw type. $\phi 1.5''$ x 10'. For LARU-10 and EXP1/SS CR Series	
10	500362	EPDM rubber suction hose assembly with $\phi 2''$ S/S** female camlock on one end and S/S** hose clamp on the other. $\phi 2''$ x 6.6'. Autoclavable. For CWR-10 (PHARMA)	
11	323470	Foodgrade suction hose with S/S** ends. $\phi 1.25''$ x 10'. Made of crystal clear PVC. With smooth interior and exterior. Allows for easy decontamination. Meets FDA requirements (CFR title 21 parts 170-199). For CWR Series.	
12	323471	Foodgrade suction hose with S/S** ends. $\phi 1.25''$ x 15'. Made of crystal clear PVC. With smooth interior and exterior. Allows for easy decontamination. Meets FDA requirements (CFR title 21 parts 170-199). For 2D-15 DECOM(4W) RE SS HEPA	
13	381390B	Foodgrade suction hose with $\phi 1.5''$ S/S** female screw type connector for $\phi 1.5''$ accessories and S/S** female camlock for $\phi 2''$ suction intake. $\phi 1.25''$ x 10'. Made of crystal clear PVC. With smooth interior and exterior. Allows for easy decontamination. Meets FDA requirements (CFR title 21 parts 170-199). For CD-3000 Series	
14	323301	PVC Crushproof suction hose with curved handles and S/S** ends. $\phi 1.25''$ x 10'. SD* and light weight. For EMI-CWR (old system)	
15	323301B	PVC Crushproof suction hose with chrome plated steel ends. $\phi 1.25''$ x 10' SD* and light weight. For CR-4D	
16	323303	PVC Crushproof suction hose with straight connector and S/S** ends. $\phi 1.25''$ x 10'. SD* and light weight. For EMI-CWR	
17	323540	PVC Crushproof suction hose assembly with straight S/S** handle and S/S** camlock. $\phi 1.25''$ x 10'. SD* and light weight. For CD-1500 Series and EMI-CWR SS	
18	381137A	PVC Crushproof suction hose with regular hose cuff. $\phi 1.5''$ x 10'. For 2D-15 HOSPITAL (TC) RE HEPA	
19	381137D	PVC Crushproof hose assembly with $\phi 1.5''$ camlock intake. $\phi 1.5''$ x 10'. For 2D-PH NUC and CS-PH NUC	
20	381140D	PVC Crushproof hose assembly for $\phi 1.5''$ camlock intake. $\phi 1.5''$ x 20'. For 2D-PH NUC and CS-PH NUC	

SD* - Static Dissipating

S/S** - Stainless Steel AISI 304

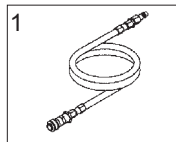
SC*** - Static Conductive

**OPTIONAL HOSE ASSEMBLIES
TO BE USED WITH CLEANROOM
VACUUM CLEANER SYSTEMS**



21	323525	Silicone suction hose with S/S** ends. Clear with smooth interior and exterior. SD*. Autoclavable and foodgrade. ø1.25" x 6'. This hose can resist high temperatures. Allows for easy decontamination. Complies with FDA requirements (CFR title 21 parts 170-199). NB. This hose is very rigid. For CWR Series	
22	323526	Silicone suction hose with S/S** ends. Clear with smooth interior and exterior. SD*. Autoclavable and foodgrade. ø1.25" x 12'. This hose can resist high temperatures. Allows for easy decontamination. Complies with FDA requirements (CFR title 21 parts 170-199). NB. This hose is very rigid. For CWR Series	
23	381337	Vinylife suction hose with PVC female camlock on both ends. ø1.5" x 10'. For ARU-15	
24	212070	Suction hose with S/S** ends. ø1.25" x 5'. SD* and light weight. For MV-1CR Series	
25	212072	Suction hose with S/S** ends. ø1.25" x 10'. SD* and light weight. For MV-1CR Series	
26	323497	Suction hose. ø1.25" x 8'. For CR-1	

**OPTIONAL AIR SUPPLY HOSE ASSEMBLY
TO BE USED WITH CLEANROOM
VACUUM CLEANER SYSTEMS**



1	211787	Air supply hose assembly with female quick disconnect. ø1/2" x 50'. For MRV-15 Series	
---	--------	---	--

**OPTIONAL HOSES ONLY
TO BE USED WITH CLEANROOM
VACUUM CLEANER SYSTEMS**

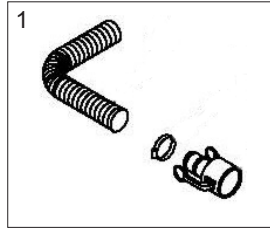
1	250010 323430 383438 500538	Crushproof suction hose, SC*** (no wire), ø1", black Crushproof suction hose, SC*** (no wire), ø1.25", black Crushproof suction hose, SC*** (no wire), ø1.5", black Crushproof suction hose, SC*** (no wire), ø2", black	
2	323340A 323340 381141 500140	PVC Crushproof suction hose, ø1.25", beige PVC Crushproof suction hose, ø1.25", grey PVC Crushproof suction hose, ø1.5", grey PVC Crushproof suction hose, ø2", grey	
3	323440 381425 500390 635078 990010	Clear Urethane suction hose, SD*, ø1.25" Clear Urethane suction hose, SD*, ø1.5" Clear Urethane suction hose, SD*, ø2" Clear Urethane suction hose, SD*, ø2.5" Clear Urethane suction hose, SD*, ø4"	
4	381388	Foodgrade suction hose, ø1.5"	
5	211813A 323450 381383 500360	EPDM drain/discharge hose, SD*, ø0.75" EPDM suction hose, SD*, ø1.25" EPDM suction hose, SD*, ø1.5" EPDM suction hose, SD*, ø2"	
6	323425 381335 500380 635120	Vinylife suction hose, SD*, ø1.25" Vinylife suction hose, SD*, ø1.5" Vinylife suction hose, SD*, ø2" Vinylife suction hose, SD*, ø2.5"	

SD* - Static Dissipating

S/S** - Stainless Steel AISI 304

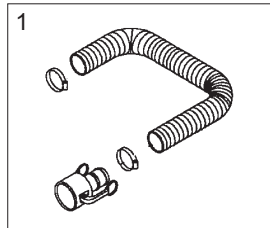
SC*** - Static Conductive

DRAIN HOSE ASSEMBLIES
TO BE USE WITH CLEANROOM
VACUUM CLEANER SYSTEMS



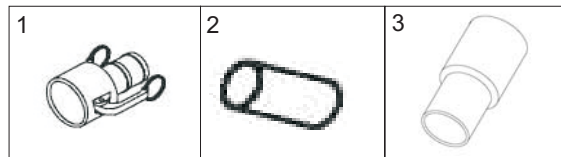
1	211157B 211815 381092 381093	Drain hose assembly. For use with model CWR-8 (4W) EPDM drain hose assembly w/female camlock, $\varnothing 0.75''$ x 5', autoclavable, S/S** for LARU-10, CWR-10 (PHARMA) and EXP1/SS CR Series PVC drain hose. $\varnothing 0.75''$ x 5'. For ARU-15 and CWR-10/15 models with polyethylene tanks PVC drain hose. $\varnothing 0.75''$ x 5'. For CWR-8 (4W) models with S/S** tanks, CWR-10/15 models with S/S** tanks, MRV-15 Series, MRV-16 (4W) SS and 2D-15 DECOM (4W) RE SS HEPA	
---	---------------------------------------	---	--

CONNECTION/SUCTION HOSE ASSEMBLIES
TO BE USE WITH CLEANROOM
VACUUM CLEANER SYSTEMS



1	381336 381386 381387 500381	PVC Crushproof connection hose. $\varnothing 1.5''$ x 5' with PVC female camloc on both ends. For ARU-15 EPDM connection hose assembly with S/S female camlock on both ends. $\varnothing 1.5''$ x 5'. For LARU-10 Vinylife connection/suction hose with $\varnothing 1.5''$ female camlock on one end. $\varnothing 1.5''$ x 6'. To connect vacuum cleaner to processing equipment. For CD-3000 Series Vinylife connection/suction hose with $\varnothing 2''$ female camlock on one end. $\varnothing 2''$ x 6'. To connect vacuum cleaner to processing equipment. For CD-2600 CR (MFS) and CD-5000 Series	
---	--------------------------------------	--	--

OPTIONAL HOSE ACCESSORIES
TO BE USE WITH CLEANROOM
VACUUM CLEANER SYSTEMS



1	381229	Female adaptor, Camlock Part C, $\varnothing 1.5''$, aluminum. For 2D-PH NUC and CS-PH NUC	
2	381205	Hose cuff union, $\varnothing 1.5''$, grey PVC	
3	381199	Hose cuff, $\varnothing 1.5''$, grey PVC	

SD* - Static Dissipating

S/S** - Stainless Steel AISI 304

SC*** - Static Conductive