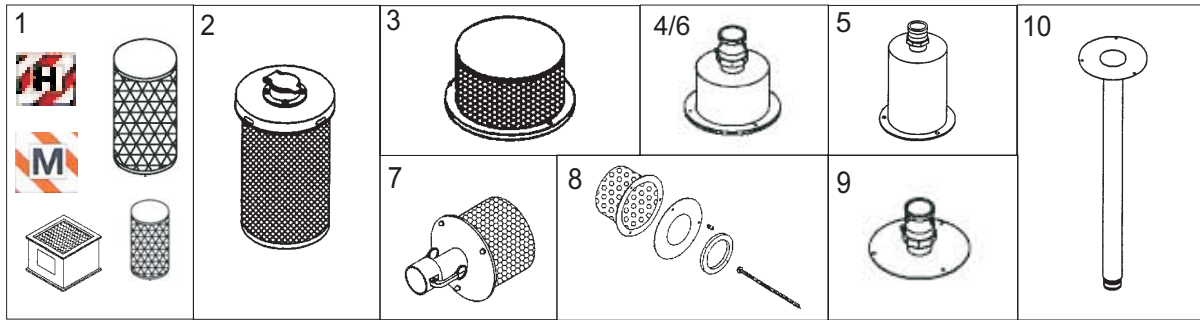


HEPA/ULPA FILTERS AND ACCESSORIES
FOR USE WITH CLEANROOM
VACUUM CLEANER SYSTEMS



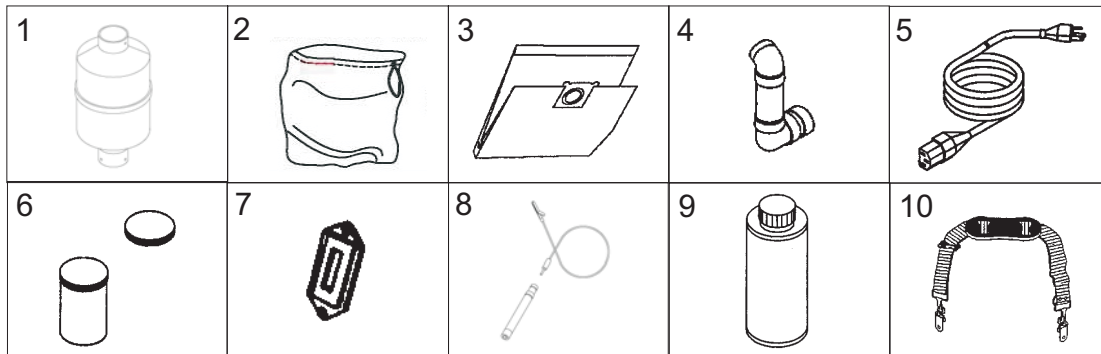
1	211027B 212202 211027 212073 212203 212304	<p>HEPA Filter - efficiency of 99.99% on 0.3 micron. HEPA filter for CD-1500 Series, CR-4D, CWR (MRAC) Series, MRV-15 Series MRV-16 (4W) SS, 2D-15 DECOM Series and EXP1/SS CR Series HEPA filter for CD-5000 STD Series</p> <p>ULPA Filter - efficiency of 99.999% on 0.12 micron ULPA filter for CD-1500 Series, CR-4D, CWR Series, CWR (MRAC) Series, EMI-CWR Series, MRV-8 Series, PH-NUC Series and EXP1/SS CR Series ULPA filter for MV-1CR Series ULPA filter for CD-2600 Series ULPA filter for CR-1</p>	
2	213260	Containment HEPA filter with lid with suction intake. For MV-1CR (CV) Series	
3	212206	External HEPA/ULPA housing, S/S**. For CD-2600 Series, CD-3000 Series and CD-5000 Series	
4	212496A	Housing for ULPA Filter, S/S**, with ø2" male camlock. Allows for an exhaust hose to be used in conjunction with ULPA filter # 211027. Electropolished. For CD-1500 Series	
5	213004	External housing for HEPA/ULPA filter, S/S**, with ø2" camlock. Allows for an exhaust hose to be used in conjunction with the ULPA filter. Electropolished. For CD-2600 Series, CD-3000 Series and CD-5000 Series	
6	213088	Housing for HEPA/ULPA filter, S/S**. For CD-1500 Series	
7	214082	Detachable ULPA housing assembly with ULPA filter. For use with 2D-PH NUC and CS-PH NUC	
8	214860	ULPA housing protector kit for ULPA filter. Includes gasket. Made of powder coated steel. For CR-1	
9	213035	Adaptor plate with ø2" male camlock. Allows for an exhaust hose to be used with the vacuum cleaner without using the ULPA filter. For CD-1500 Series, CD-2600 Series, CD-3000 Series and CD-5000 Series	
10	213380	Support tube with plate for downstream ULPA filter. S/S**. For CD-1500 Series	

SD* - Static Dissipating

S/S** - Stainless Steel AISI 304

SC*** - Static Conductive

**OPTIONAL ACCESSORIES FOR
CLEANROOM VACUUM CLEANERS**



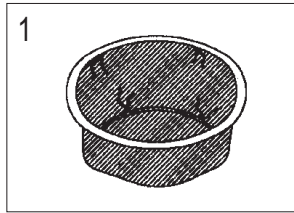
1	214352A	Exhaust Silencer for CD-1500, ABS type	
2	212100A 212100B 212368 213340 214830 214832	Poly liner recovery bag. Conductive. For EXP1/SS CR Series 10 gallon models Poly liner recovery bag. Conductive. For EXP1/SS CR Series 15 gallon models Poly liner recovery bags for MRV-15 SERIES and MRV-16 (4W) SS (Package of 5) Poly liner recovery bags for CD-5000 (SCFS) (Package of 5) Poly liner recovery bags for CD-1500 CR (MCF) (Package of 5) Poly liner recovery bags for CD-1500 CR (DFB) (Package of 5)	
3	211028 211069 211063 212075 212230 212500	Latex disposable filter bags with microliner for CR-4D, CWR-8 Series and EMI-CWR Series (Package of 5) Latex disposable filter bags with microliner for CR-4D, CWR-8 Series and EMI-CWR Series (Package of 12) Disposable paper filter bags for LARU-10, CWR-10/15 Series, CWR (MRAC) Series, MRV-15 Series, MRV-16 (4W) SS and 2D-15 DECOM Series (Package of 5) Disposable paper filter bags for MV-1CR (HH) (Package of 5) Disposable paper filter bags for MV-1CR (BP and GC) (Package of 5) Disposable paper filter bags for CD-1500 (DFB) and CR-1 (Package of 5)	
4	211282 211591C 211840 211841 212730	Connector for paper filter bags for CWR-15 (4W) Poly and CWR-15 (4W) Poly (MRAC) Connector for paper filter bags for CWR-8 Poly Connector for paper filter bags for LARU-10, CWR-10 (4W), CWR-10 (MRAC) Series, MRV-15 Series and MRV-16 (4W) SS Connector for paper filter bags for CWR-15 (4W), CWR-15 (4W) MRAC and 2D-15 Decom (4W) RE SS HEPA Connector for paper filter bags for CWR-8 (4W) and EMI-CWR SS	
5	212080	Detachable power cord for 120V. 10m. For MV-1CR Series	
6	212210	Replacement mercury recovery jar with lid. 540 ml	
7	213058	Hour counter 100V to 230V (must be factory installed). For MRV-8 Series	
8	211065	Ground continuity tester (batteries not included)	
9	211701	De-foaming liquid, 909ml	
10	211607	Shoulder Strap for MV-1CR (HH)	

SD* - Static Dissipating

S/S** - Stainless Steel AISI 304

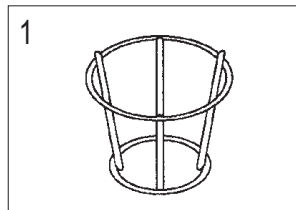
SC*** - Static Conductive

MAIN CLOTH FILTERS
TO BE USED WITH CLEANROOM
VACUUM CLEANER SYSTEMS



1	<p>211013B Main filter assembly with stainless steel ring. SD*. For EXP1/SS CR Series</p> <p>211226 Double cloth filter. For CR-4D and EMI-CWR</p> <p>211265A Double cloth filter with laces for filter cage. For CWR-8 Series and EMI-CWR SS</p> <p>211305 Double cloth filter. For CWR (MRAC) Series, MRV-15 Series, MRV-16 (4W) SS and 2D-15 DECOM Series</p> <p>211305A Double cloth filter with laces for wire cage. For CWR-10/15 Series</p> <p>211430A Main filter with laces for filter cage. For CD-5000 Series</p> <p>212078 Cloth filter. For MV-1CR (HH)</p> <p>212232 Cloth filter. For MV-1CR (BP and GC)</p> <p>212502 Cloth filter for CR-1</p> <p>212803A Main filter with laces for filter cage. For CD-3000 Series</p> <p>212803AT Main filter with laces, PTFE laminated polyester filter. For CD-1500 Series</p> <p>213677 Polyester filter assembly with clamp. Disposable. For MRV-8 Series</p>	
---	--	--

WIRE CAGES
TO BE USED WITH CLEANROOM
VACUUM CLEANER SYSTEMS



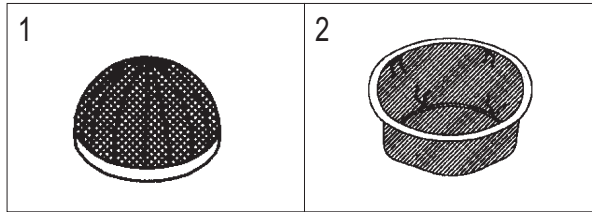
1	<p>212408A Wire cage for cloth filter, electropolished. For CD-3000 series</p> <p>212732A Wire cage for cloth filter, S/S**, electropolished. For CWR-8 Series and EMI-CWR SS</p> <p>212734 Wire cage for cloth filter. For CD-5000 Series</p> <p>212734A Wire cage for cloth filter, S/S**, electropolished. For LARU-10 and CWR-10/15 Series</p> <p>213386A Wire cage for cloth filter, S/S**, electropolished. For CD-1500 Series</p>	
---	--	--

SD* - Static Dissipating

S/S - Stainless Steel AISI 304**

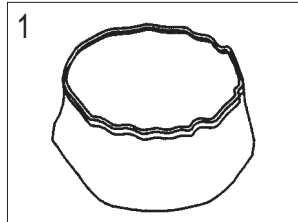
SC* - Static Conductive**

**SPECIAL FILTERS
TO BE USED WITH CLEANROOM
VACUUM CLEANER SYSTEMS**



1	211623	Dome Filter	
2	212079	Special filter lined with S/S** for the recovery of broken wafers. Replaces the Paper Filter Bag and Cloth Filter. For model MV-1CR (HH)	
	213254	Special filter lined with S/S** for the recovery of broken wafers. Replaces the Paper Filter Bag and Cloth Filter. For models MV-1CR (BP & GC)	

**PRE-FILTERS
FOR USE WITH CLEANROOM
VACUUM CLEANER SYSTEMS**



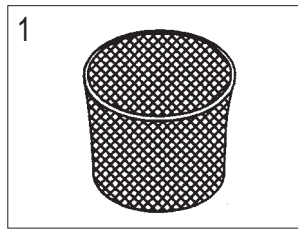
1	212008B	Pre-filter assembly with stainless steel ring. SD*. For EXP1/SS CR Series	
	212057	Dralon Pre-filter assembly for CD-5000 (MRAC)	
	212811	Dralon pre-filter assembly with S/S** ring for CD-3000 CR (MRAC)	
	213152	Dralon pre-filter assembly with snaps for CD-5000 (SCFS)	

SD* - Static Dissipating

S/S - Stainless Steel AISI 304**

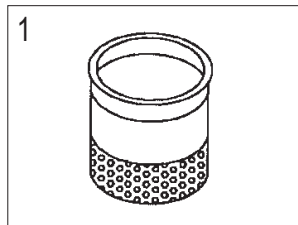
SC* - Static Conductive**

LIQUID FILTERS
FOR USE WITH CLEANROOM
VACUUM CLEANER SYSTEMS



1	211010B 211394 211394A 211749	Liquid filter assembly with S/S** ring. For EXP1/SS CR Series Liquid filter. For MRV-15 Series, MRV-16 (4W) SS and 2D-15 DECOM Series Liquid filter assembly with S/S** ring. For CWR (MRAC) Series Liquid filter with Santoprene gasket and S/S** ring. For ARU-15	
---	--	--	--

SIEVE BASKET
FOR USE WITH CLEANROOM
VACUUM CLEANER SYSTEMS



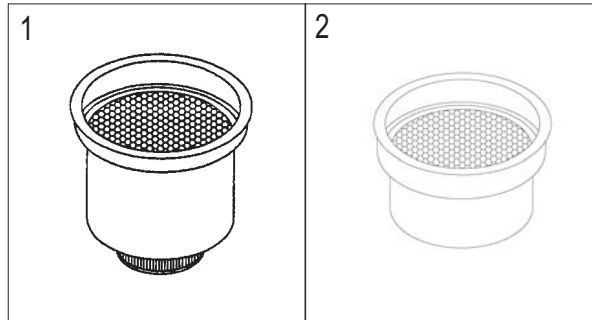
1	214979A	Sieve basket with EPDM gasket. Autoclavable. S/S**, electropolished. For CWR-10 (PHARMA)	
---	---------	--	--

SD* - Static Dissipating

S/S - Stainless Steel AISI 304**

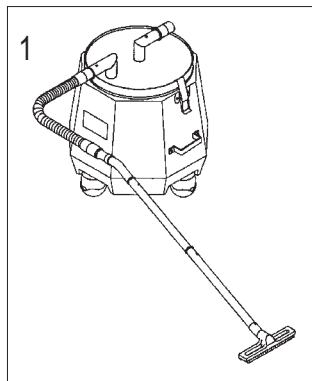
SC* - Static Conductive**

**CARBON CARTRIDGES
FOR USE WITH CLEANROOM
VACUUM CLEANER SYSTEMS**



1	212200A	Carbon cartridge with 7.5lbs of 1.5mm Mersorb brand carbon for the adsorption of mercury vapors. Includes HEPA filter. For MRV-8 Series	
2	212200B	Carbon cartridge with 18lbs of 3mm regular carbon for fuel and solvent vapors. For ARU-15, LARU-10, CD-5000 STD (MRAC), MRV-15 Series, MRV-16 (4W) SS and EXP1/SS CR Series	
	212200C	Carbon cartridge with 18lbs of 3mm Mersorb brand carbon for mercury vapors. For ARU-15, LARU-10, CD-5000 STD (MRAC), MRV-15 Series, MRV-16 (4W) SS and EXP1/SS CR Series	
	212200K	Carbon cartridge with 18lbs of 3mm Kina3 brand carbon for chloride and acid vapors (HF, HCL, etc). For ARU-15, LARU-10, CD-5000 STD (MRAC), MRV-15 Series, MRV-16 (4W) SS and EXP1/SS CR Series	
	212200L	Carbon cartridge with 18lbs of 3mm Nusorb A-3 brand carbon for arsine and phosphine. Also suitable for certain type of acid vapors. For ARU-15, LARU-10, CD-5000 STD (MRAC), MRV-15 Series, MRV-16 (4W) SS and EXP1/SS CR Series	
	213348B	Carbon cartridge with 18lbs of 3mm regular carbon for fuel and solvent vapors. For CD-3000 (MRAC)	
	213348C	Carbon cartridge with 18lbs of 3mm Mersorb brand carbon for mercury vapors. For CD-3000 (MRAC)	
	213348K	Carbon cartridge with 18lbs of 3mm Kina# brand carbon for chloride vapors and acid vapors (HF, HCL, etc). For CD-3000 (MRAC)	
	213348L	Carbon cartridge with 18lbs of 3mm Nusorb A-3 brand carbon for arsine and phosphine. Also suitable for certain types of acid vapors. For CD-3000 (MRAC)	

**INTERCEPTOR RECOVERY DRUM
FOR USE WITH CLEANROOM
VACUUM CLEANER SYSTEMS**



1	211024	Model INT-5 (CR) includes a suction hose with stainless steel ends. Stainless steel extension wands and a PVC floor tool for liquid recovery. The following components are made of stainless steel: lid, floater housing, hose ends and extension wands. The recovery tank is made of corrosion resistant polyethylene.	
---	--------	---	--

SD* - Static Dissipating

S/S** - Stainless Steel AISI 304

SC*** - Static Conductive