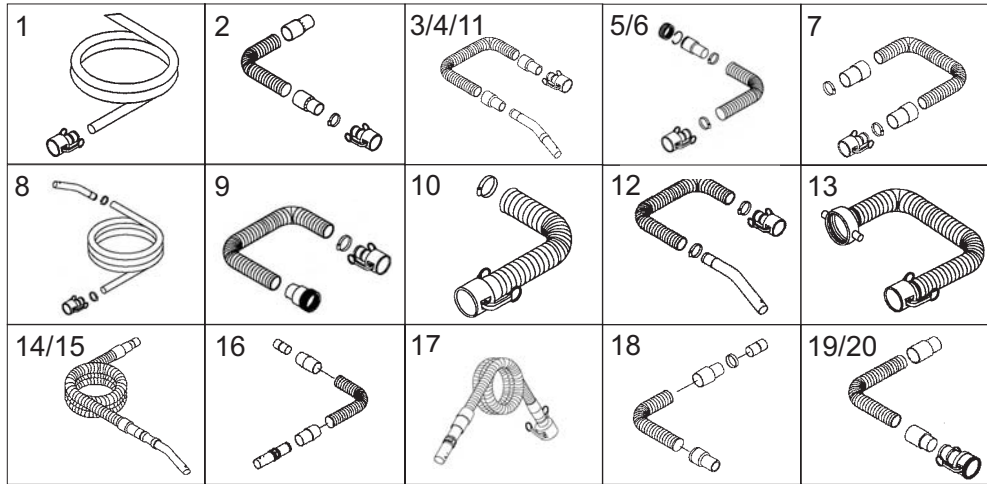


## OPTIONAL HOSE ASSEMBLIES TO BE USED WITH CLEANROOM VACUUM CLEANER SYSTEMS



|    |         |   |  |
|----|---------|---|--|
| 1  | 212211  | Clear Urethane suction hose with smooth interior and exterior. ø25mm x 2.4m. For use with mercury separator   |  |
| 2  | 212215  | Clear Urethane suction hose assembly with ø38mm PVC camlock on one end and ø38mm hose cuff on the other end. 3m. For MRV-15 Series and MRV-16 (4W) SS   |  |
| 3  | 323403  | Clear Urethane suction hose with S/S** ends. SD*. Abrasion resistant, very flexible and light weight. ø32mm x 3m. For CWR models with stainless steel recovery tanks  |  |
| 4  | 323404  | Clear Urethane suction hose. Abrasion resistant, very flexible and light weight. ø32mm x 3m. For CWR models with polyethylene recovery tanks  |  |
| 5  | 381427  | Clear Urethane suction hose with S/S** female camlock and S/S** female screw type. SD*. ø38mm x 3.8m. For CD-1500 Series  |  |
| 6  | 381427B | Clear Urethane suction hose assembly with ø38mm S/S** female screw type connector for ø38mm accessories and S/S** female camlock. SD*. ø38mm x 3.8m. For CD-2600 Series & CD-3000 Series  |  |
| 7  | 500395B | Clear Urethane suction hose with aluminum female camlock on one end. ø50mm x 3.8m. For CD-5000 STD Series   |  |
| 8  | 323455  | EPDM rubber suction hose with S/S** ends, with smooth interior and exterior. SD*. Autoclavable. ø32mm x 3m. This hose can resist high temperatures. NB. This hose is very rigid. For CWR Series and EXP1/SS CR Series   |  |
| 9  | 381385  | EPDM rubber suction hose assembly with S/S** female camlock and S/S** female screw type. ø38mm x 3m. For LARU-10 and EXP1/SS CR Series  |  |
| 10 | 500362  | EPDM rubber suction hose assembly with ø50mm S/S** female camlock on one end and S/S** hose clamp on the other. ø50mm x 2m. Autoclavable. For CWR-10 (PHARMA)   |  |
| 11 | 323470  | Foodgrade suction hose with S/S** ends. ø32mm x 3m. Made of crystal clear PVC. With smooth interior and exterior. Allows for easy decontamination. Meets FDA requirements (CFR title 21 parts 170-199). For CWR Series.   |  |
| 12 | 323471  | Foodgrade suction hose with S/S** ends. ø32mm x 4.5m. Made of crystal clear PVC. With smooth interior and exterior. Allows for easy decontamination. Meets FDA requirements (CFR title 21 parts 170-199). For 2D-15 DECOM(4W) RE SS HEPA  |  |
| 13 | 381390B | Foodgrade suction hose with ø38mm S/S** female screw type connector for ø38mm accessories and S/S** female camlock for ø50mm suction intake. ø32mm x 3m. Made of crystal clear PVC. With smooth interior and exterior. Allows for easy decontamination. Meets FDA requirements (CFR title 21 parts 170-199). For CD-3000 Series |  |
| 14 | 323301  | PVC Crushproof suction hose with curved handles and S/S** ends. ø32mm x 3m. SD* and light weight. For EMI-CWR (old system)  |  |
| 15 | 323301B | PVC Crushproof suction hose with chrome plated steel ends. ø32mm x 3m. SD* and light weight. For CR-4D  |  |
| 16 | 323303  | PVC Crushproof suction hose with straight connector and S/S** ends. ø32mm x 1.5m. SD* and light weight. For EMI-CWR   |  |
| 17 | 323540  | PVC Crushproof suction hose assembly with straight S/S** handle and S/S** camlock. ø32mm x 3m. SD* and light weight. For CD-1500 Series and EMI-CWR SS  |  |
| 18 | 381137A | PVC Crushproof suction hose with regular hose cuff. ø38mm x 3m. For 2D-15 HOSPITAL (TC) RE HEPA   |  |
| 19 | 381137D | PVC Crushproof hose assembly with ø38mm camlock intake. ø38mm x 3m. For 2D-PH NUC and CS-PH NUC   |  |
| 20 | 381140D | PVC Crushproof hose assembly for ø38mm camlock intake. ø38mm x 6.6m. For 2D-PH NUC and CS-PH NUC  |  |

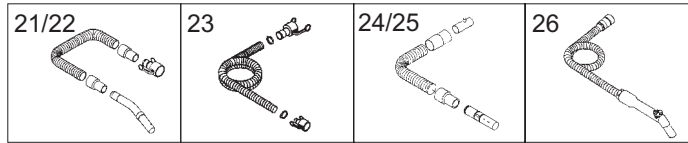
**SD\*** - Static Dissipating

**S/S\*\*** - Stainless Steel AISI 304

**SC\*\*\*** - Static Conductive

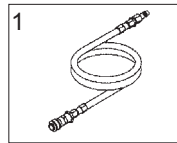
**THE ABOVE PRICES ARE EXPRESSED IN € EURO FOB BOLOGNA, ITALIA - PRICES SUBJECT TO CHANGE WITHOUT NOTICE**

## OPTIONAL HOSE ASSEMBLIES TO BE USED WITH CLEANROOM VACUUM CLEANER SYSTEMS



|    |        |  |  |
|----|--------|--|--|
| 21 | 323525 | Silicone suction hose with S/S** ends. Clear with smooth interior and exterior. SD*. Autoclavable and foodgrade. ø32mm x 1.8m. This hose can resist high temperatures. Allows for easy decontamination. Complies with FDA requirements (CFR title 21 parts 170-199). NB. This hose is very rigid. For CWR Series |  |
| 22 | 323526 | Silicone suction hose with S/S** ends. Clear with smooth interior and exterior. SD*. Autoclavable and foodgrade. ø32mm x 3.6m. This hose can resist high temperatures. Allows for easy decontamination. Complies with FDA requirements (CFR title 21 parts 170-199). NB. This hose is very rigid. For CWR Series |  |
| 23 | 381337 | Vinylife suction hose with PVC female camlock on both ends. ø38mm x 3m. For ARU-15   |  |
| 24 | 212070 | Suction hose with S/S** ends. ø32mm x 1.5m. SD* and light weight. For MV-1CR Series  |  |
| 25 | 212072 | Suction hose with S/S** ends. ø32mm x 3m. SD* and light weight. For MV-1CR Series  |  |
| 26 | 323497 | Suction hose. ø32mm x 2.44m. For CR-1  |  |

## OPTIONAL AIR SUPPLY HOSE ASSEMBLY TO BE USED WITH CLEANROOM VACUUM CLEANER SYSTEMS



|   |        |  |  |
|---|--------|--|--|
| 1 | 211787 | Air supply hose assembly with female quick disconnect. ø12.7mm x 1.5m. For MRV-15 Series |  |
|---|--------|--|--|

## OPTIONAL HOSES ONLY TO BE USED WITH CLEANROOM VACUUM CLEANER SYSTEMS

|   |  |  |  |
|---|--|--|--|
| 1 | 250010<br>323430<br>383438<br>500538           | Crushproof suction hose, SC*** (no wire), ø25.4mm, black<br>Crushproof suction hose, SC*** (no wire), ø32mm, black<br>Crushproof suction hose, SC*** (no wire), ø38mm, black<br>Crushproof suction hose, SC*** (no wire), ø50mm, black |  |
| 2 | 323340A<br>323340<br>381141<br>500140          | PVC Crushproof suction hose, ø32mm, beige<br>PVC Crushproof suction hose, ø32mm, grey<br>PVC Crushproof suction hose, ø38mm, grey<br>PVC Crushproof suction hose, ø50mm, grey  |  |
| 3 | 323440<br>381425<br>500390<br>635078<br>990010 | Clear Urethane suction hose, SD*, ø32mm<br>Clear Urethane suction hose, SD*, ø38mm<br>Clear Urethane suction hose, SD*, ø50mm<br>Clear Urethane suction hose, SD*, ø64mm<br>Clear Urethane suction hose, SD*, ø100mm                   |  |
| 4 | 381388   | Foodgrade suction hose, ø38mm  |  |
| 5 | 211813A<br>323450<br>381383<br>500360          | EPDM drain/discharge hose, SD*, ø19mm<br>EPDM suction hose, SD*, ø32mm<br>EPDM suction hose, SD*, ø38mm<br>EPDM suction hose, SD*, ø50mm   |  |
| 6 | 323425<br>381335<br>500380<br>635120           | Vinylife suction hose, SD*, ø32mm<br>Vinylife suction hose, SD*, ø38mm<br>Vinylife suction hose, SD*, ø50mm<br>Vinylife suction hose, SD*, ø64mm   |  |

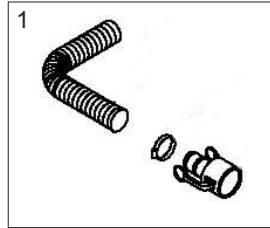
**SD\*** - Static Dissipating

**S/S\*\*** - Stainless Steel AISI 304

**SC\*\*\*** - Static Conductive

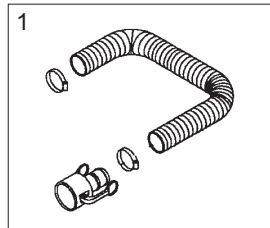
**THE ABOVE PRICES ARE EXPRESSED IN € EURO FOB BOLOGNA, ITALIA - PRICES SUBJECT TO CHANGE WITHOUT NOTICE**

**DRAIN HOSE ASSEMBLIES  
TO BE USE WITH CLEANROOM  
VACUUM CLEANER SYSTEMS**



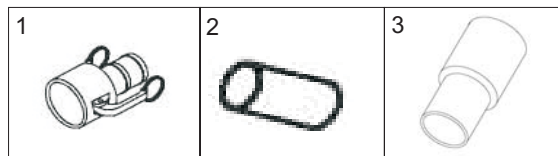
|   |                                       |  |  |
|---|---------------------------------------|--|--|
| 1 | 211157B<br>211815<br>381092<br>381093 | Drain hose assembly. For use with model CWR-8 (4W)<br>EPDM drain hose assembly w/female camlock, ø19mm x 1.5m, autoclavable, S/S** for LARU-10, CWR-10 (PHARMA) and EXP1/SS CR Series<br>PVC drain hose. ø19mm x 1.5m. For ARU-15 and CWR-10/15 models with polyethylene tanks<br>PVC drain hose. ø19mm x 1.5m. For CWR-8 (4W) models with S/S** tanks, CWR-10/15 models with S/S** tanks, MRV-15 Series, MRV-16 (4W) SS and 2D-15 DECOM (4W) RE SS HEPA |  |
|---|---------------------------------------|--|--|

**CONNECTION/SUCTION HOSE ASSEMBLIES  
TO BE USE WITH CLEANROOM  
VACUUM CLEANER SYSTEMS**



|   |                                      |   |  |
|---|--------------------------------------|---|--|
| 1 | 381336<br>381386<br>381387<br>500381 | PVC Crushproof connection hose. ø38mm x 1.5m with PVC female camloc on both ends. For ARU-15<br>EPDM connection hose assembly with S/S female camlock on both ends. ø38mm x 1.5m. For LARU-10<br>Vinylife connection/suction hose with ø38mm female camlock on one end. ø38mm x 1.8m. To connect vacuum cleaner to processing equipment. For CD-1500 Series and CD-3000 Series<br>Vinylife connection/suction hose with ø50mm female camlock on one end. ø50mm x 1.8m. To connect vacuum cleaner to processing equipment. For CD-2600 CR (MFS) and CD-5000 Series |  |
|---|--------------------------------------|---|--|

**OPTIONAL HOSE ACCESSORIES  
TO BE USE WITH CLEANROOM  
VACUUM CLEANER SYSTEMS**



|   |        |  |  |
|---|--------|--|--|
| 1 | 381229 | Female adaptor, Camlock part c, ø38mm, aluminum. For 2D-PH NUC and CS-PH NUC |  |
| 2 | 381205 | Hose cuff union, ø38mm, grey PVC   |  |
| 3 | 381199 | Hose cuff, ø38mm, grey PVC   |  |

**SD\*** - Static Dissipating

**S/S\*\*** - Stainless Steel AISI 304

**SC\*\*\*** - Static Conductive

**THE ABOVE PRICES ARE EXPRESSED IN € EURO FOB BOLOGNA, ITALIA - PRICES SUBJECT TO CHANGE WITHOUT NOTICE**