

CR-1000 ULPA

ELECTRICALLY OPERATED CLEANROOM VACUUM CLEANER SYSTEM






MODEL CR-1000 ULPA

AVAILABLE WITH SAFE CONTAINMENT CANISTER



Top: CR-1000 with Stainless steel
AISI 316 Recovery tank
Right: CR-1000 with safe containment
canister

Characteristics:

-  Cleanroom compatible
-  ULPA filter
-  Safe Containment
-  Stainless Steel
-  Low noise level

- Compatible with ISO Class 4 (Former Class 10) Cleanroom conditions. Suitable for pharmaceutical applications.
- ULPA Filter efficiency of 99.999% @ 0.12 micron. Tested: IEST RP-CC001.3. Filtration efficiency of 99.9995% @ 0.18 micron. Tested: IEST RP-CC001.3.
- High performance at a low cost.
- Low noise level: only 60dB(A) at 6.6' (2m)
- Ready to use: ULPA filter and protector housing, paper filter bags and PTFE laminated main cloth filter are included.
- Four wheels for extra manoeuvrability.
- Filter chamber and recovery tank are made of AISI Type 316 Stainless Steel and are autoclavable.
- Available with Tiger-Vac's Safe Containment Canister for the safe collection, containment and disposal of potent compounds. The canister is sealed, a paper filter bag is located on the suction intake and a HEPA filter is located at the exhaust. The entire canister can be disposed of when full.
- Three tool kits are available to choose from:
 1. Standard tool kit, 1¼"/32mm;
 2. ESD Safe tool kit, 1¼"/32mm;
 3. Autoclavable tool kit, 1¼"/32mm.

Tiger-Vac[®]

...The name to vacuum with

Tiger-Vac Inc. (USA)
73 S.W. 12 Ave. Bldg. 1, Unit 7
Dania, FL 33004
USA
Tel.: (954) 925-3625
Fax.: (954) 925-3626
E-mail: sales@tiger-vac.com

Tiger-Vac International Inc.
2020 Dagenais Blvd. West
Laval, Quebec
Canada H7L 5W2
Tel.: (450) 622-0100
Fax.: (450) 625-3388
E-mail: support@tiger-vac.com

Toll free telephone: 1 800 668-4437 (Fax: 1 800 668-4439)
<http://www.tiger-vac.com>

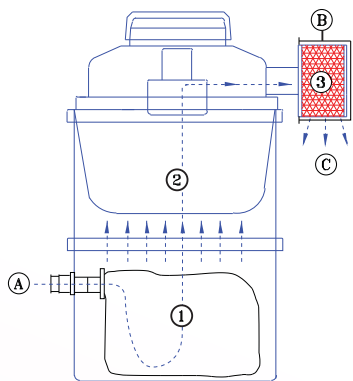
Technical specifications

Model	Phase/Volts 60 Hz	Electric current	Electric power	Airflow	Vacuum at sealed orifice	Recovery capacity
CR-1000 ULPA	1/120	8.3 A	1 HP	96 CFM	99" H ₂ O	4 Gal (15.2 ℓ) Paper filter bag: 2 Gal (7.2 ℓ)
Dimensions: L16" (41cm) x W16" (41cm) x H22" (56cm). 19 lbs (8.6 kg)					Noise level: 60 dB(A) at 6.6' (2m)	

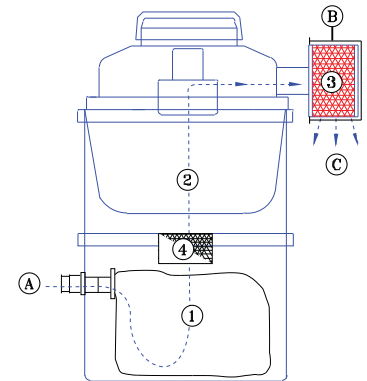
CR-1000 WITH 55316 RECOVERY TANK

CR-1000 WITH SAFE CONTAINMENT CANISTER

Filtration system:



1	Paper filter bag (pkg. of 5)
2	PTFE laminated main cloth filter
3	ULPA Filter efficiency of 99.999% @ 0.12 micron. Tested: IEST RP-CC001.3. Filtration efficiency of 99.9995% @ 0.18 micron. Tested: IEST RP-CC001.3.
4	HEPA Filter efficiency of 99.995% @ 0.3 micron. Tested: IEST RP-CC001.3. Type H14
A	Suction intake
B	ULPA Filter protector housing
C	Clean air exhaust

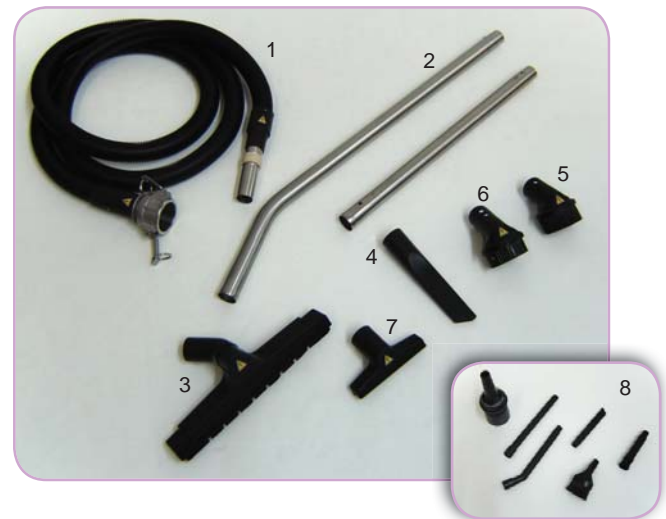


Ø32mm Standard tools and accessories (Kit #1)

#	Part number	Description
	323600	Complete tool kit - Standard (kit #1)
1	323606	Suction Hose Assembly. 8½' (2.6m)
2	323504A	Extension Wand, telescopic. Made of plastic
3	323508	Floor Tool. 14" (36cm)
4	323510	Crevice Tool. 7¾" (20cm)
5	323514	Dusting Brush. 3" (8cm)
6	323512	Upholstery Tool. 12.7cm

Ø32mm ESD safe tools and accessories (Kit #2)

#	Part number	Description
	323602	Complete tool kit - ESD Safe (kit #2)
1	323608	ESD safe suction hose assembly. 8½' (2.6m)
2	323331	Wands, set of 2. One curved and one straight
3	323318A	Utility Floor Tool with brushes. ESD safe plastic
4	323313A	Crevice Tool. ESD safe plastic
5	323312A	Round Brush. ESD safe plastic
6	323321A	Round Tool with rubber blades. ESD safe plastic
7	323314A	Flat Tool. ESD safe plastic
8	323316	Micro Tool Kit. 6 mini attachments. ESD safe plastic



Ø32mm Autoclavable tools and accessories (Kit #3)

#	Part number	Description
	323604	Complete tool kit - Autoclavable (kit #3)
1	323462	EDPM Suction hose assembly. Autoclavable. 8½' (2.6m)
2	323412	Floor tool w/nylon wheels and nitrile rubber blades. 12" (30 cm). Stainless steel AISI 304
3	323413	Crevice tool. 10" (25.4 cm). Stainless steel AISI 304
4	323565	Conical nozzle with curved tip. 10" (25.4 cm). Clear silicone
5	323331	Wands, set of 2. One curved and one straight. Stainless steel AISI 304

For complete details please visit our website: WWW.TIGER-VAC.COM or contact one of our technical representatives.

Specifications are subject to change without notice. Images are for illustration purposes only. Tiger-Vac is a registered trademark.