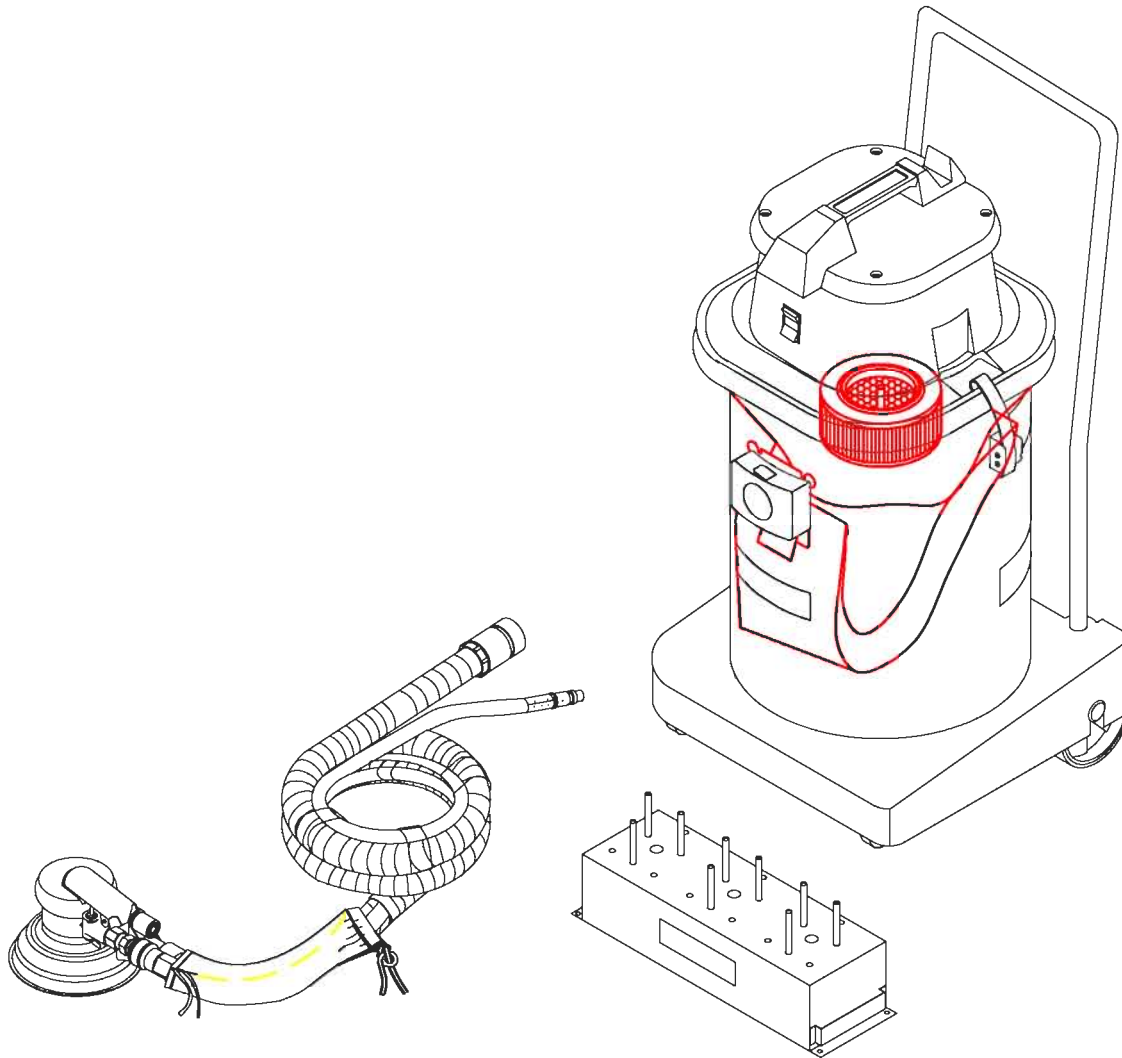


Tiger-Vac®



ELECTRICALLY OPERATED, SANDING KIT (SK) FOR DUST CONTROL
HEPA FILTER EFFICIENCY OF 99.99% @ 0.3 MICRON
MODEL: AS-400 SK HEPA



WARNING: not to be used to vacuum flammable or ignitable materials or dusts. Do not use this vacuum cleaner in hazardous locations. Please consult our technical representatives if an explosion proof / dust ignition proof vacuum cleaner is needed for hazardous locations

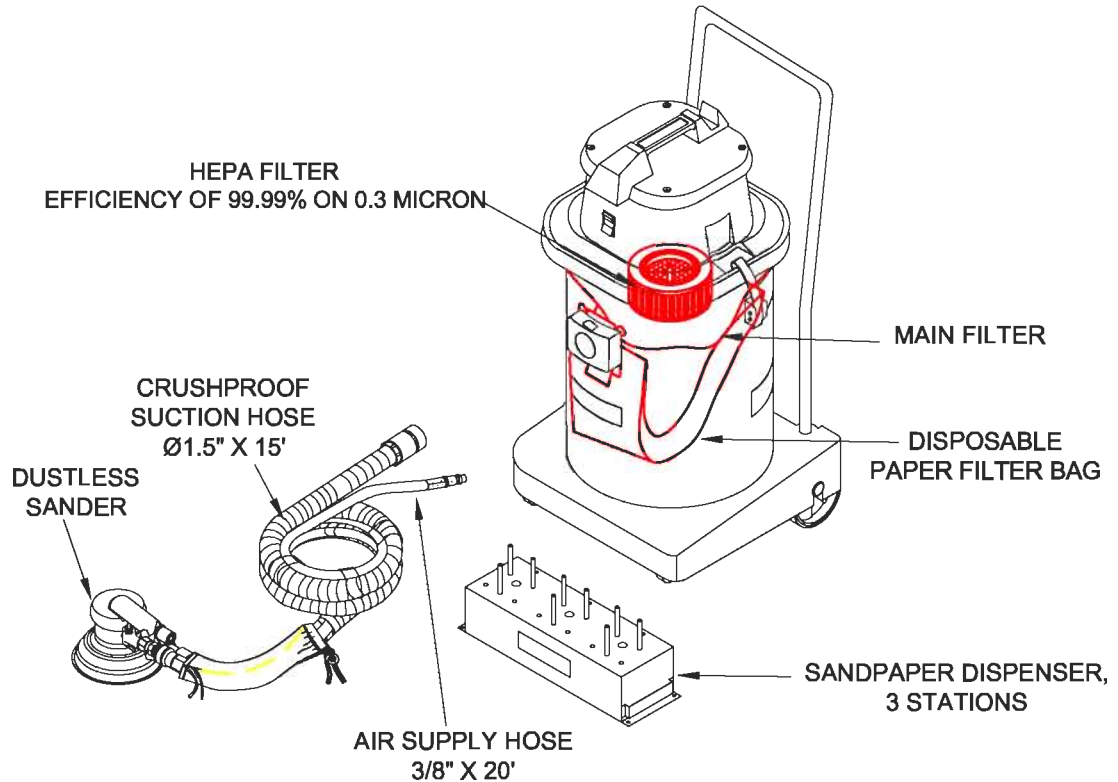
TIGER-VAC INC. (USA)
73 S.W. 12 Ave. Bldg.1, Unit 7
Dania, FL 33004, USA
Tel: (954) 925-3625
Fax: (954) 925-3626
E-mail: sales@tiger-vac.com
Web-site: <http://www.tiger-vac.com>

TIGER-VAC INTERNATIONAL INC.
2020 Boul. Dagenais
Laval, Québec
CANADA H7L 5W2
Tel: (450) 622-0100
Fax: (450) 625-3388
E-mail: support@tiger-vac.com
Web-site: <http://www.tiger-vac.com>

Tiger-Vac®



ELECTRICALLY OPERATED, SANDING KIT (SK) FOR DUST CONTROL
 HEPA FILTER EFFICIENCY OF 99.99% @ 0.3 MICRON
 MODEL: AS-400 SK HEPA



SPECIFICATIONS & PERFORMANCES

	Voltage @ 60 Hz	Type	Power Watts	Amps	Airflow (CFM)	Vacuum
	120V/60Hz	By-Pass	1200	10.5	120	93" H ₂ O
MOTOR (F) 	Voltage @ 50 Hz	Type	Power Watts	Amps	Airflow L/sec.	Vacuum
	240V/50Hz	By-Pass	1050	5	56 l/s	2360mm H ₂ O
(AIR) REQUIREMENTS FOR PNEUMATIC TOOLS						
Compressor Size		Air Line Size		Input Air Pressure / Bar		Suction Hose for Sander
5 HP		1 x 0.25"		80 psi / 5.5		Ø1.25" (Ø32mm)
FILTERS						
Paper filter bags (package of 5) disposable, recovery capacity 5 gal. (19 litres)						
Main filter washable, 1 micron efficiency, 5ft ² (4,643cm ²)						
Absolute HEPA filter (H13) efficiency % @ MPPS 0.3µm Method EN1822. (Disposable) 6.7ft ² (6,220cm ²)						
HEPA/ULPA filter meets: US MIL-STD 282 & IEC 60335-2-69						

SPECIAL FEATURES

- Electrically operated vacuum cleaner system.
- A variety of dustless (vacuum assisted) hand tools are available for use with Tiger-Vac sanding kit vacuum cleaners. This point of generation dust control is an effective and efficient means for capturing toxic substances such as: lead, cadmium, strontium, chromium, zinc, and barium.
- HEPA filter efficiency of 99.99% on 0.3 micron. Filters are manufactured and tested in accordance with IES-RP-CC 001.3. (ULPA filter efficiency of 99.999% on 0.12 micron - optional).
- Start up sandpaper kit, pre-punched, 5 each of 80, 100, 120, 180 and 200 grits. Other grits available upon request.