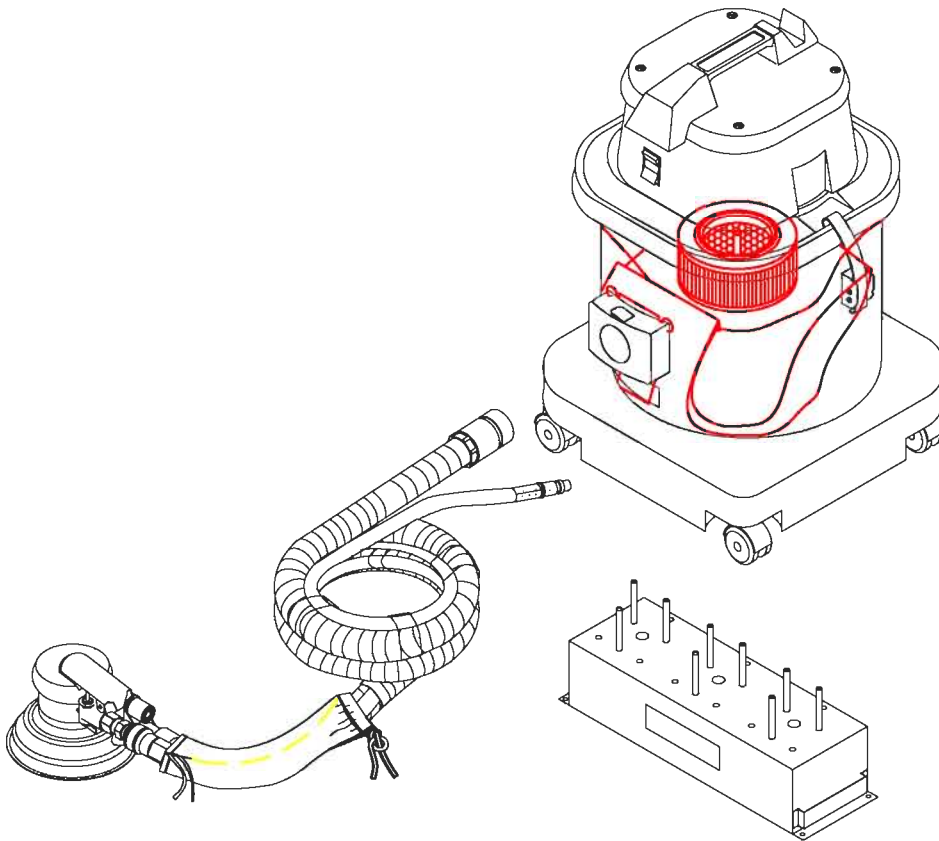


# Tiger-Vac®

ELECTRICALLY OPERATED, SANDING KIT (SK) FOR DUST CONTROL  
HEPA FILTER EFFICIENCY OF 99.99% @ 0.3 MICRON  
MODEL: AS-10 SK HEPA



**WARNING:** not to be used to vacuum flammable or ignitable materials or dusts. Do not use this vacuum cleaner in hazardous locations. Please consult our technical representatives if an explosion proof / dust ignition proof vacuum cleaner is needed for hazardous locations

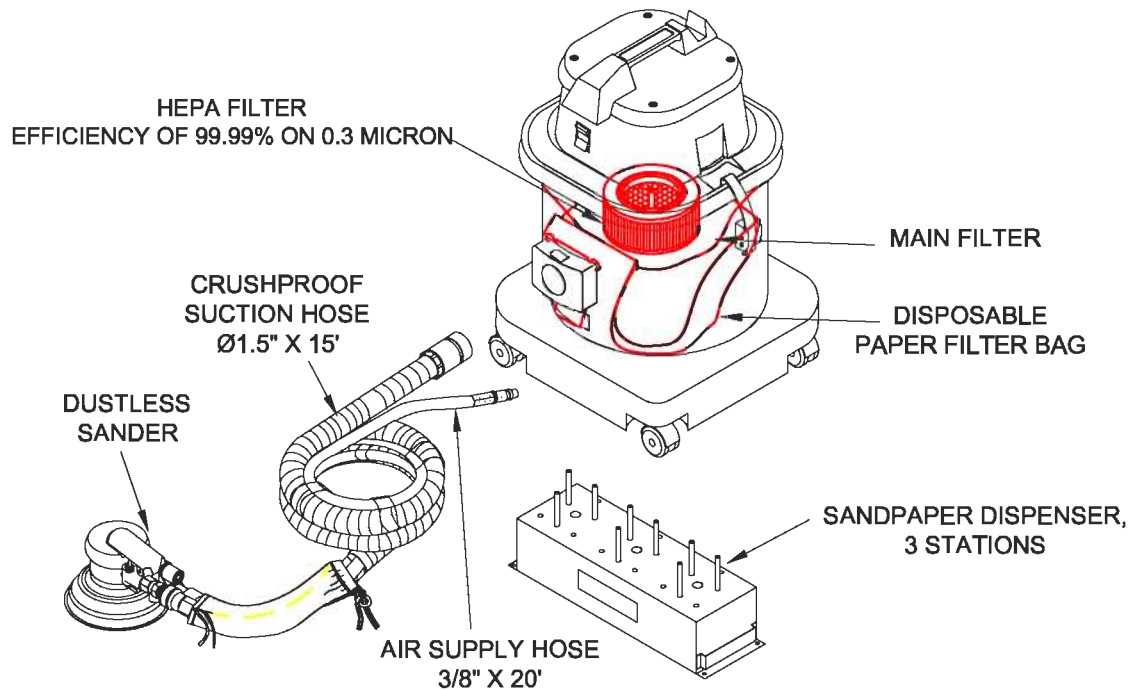
**TIGER-VAC INC. (USA)**  
73 S.W. 12 Ave. Bldg.1, Unit 7  
Dania, FL 33004, USA  
Tel: (954) 925-3625  
Fax: (954) 925-3626  
E-mail: [sales@tiger-vac.com](mailto:sales@tiger-vac.com)  
Web-site: <http://www.tiger-vac.com>

**TIGER-VAC INTERNATIONAL INC.**  
2020 Boul. Dagenais  
Laval, Québec  
CANADA H7L 5W2  
Tel: (450) 622-0100  
Fax: (450) 625-3388  
E-mail: [support@tiger-vac.com](mailto:support@tiger-vac.com)  
Web-site: <http://www.tiger-vac.com>

# Tiger-Vac®



ELECTRICALLY OPERATED, SANDING KIT (SK) FOR DUST CONTROL  
 HEPA FILTER EFFICIENCY OF 99.99% @ 0.3 MICRON  
 MODEL: AS-10 SK HEPA



## SPECIFICATIONS & PERFORMANCES

	<b>Voltage @ 60 Hz</b>	<b>Type</b>	<b>Power Watts</b>	<b>Amps</b>	<b>Airflow (CFM)</b>	<b>Vacuum</b>
	120V/60Hz	By-Pass	800	10.5	100	70" H <sub>2</sub> O
<b>MOTOR (F)</b> 	<b>Voltage @ 50 Hz</b>	<b>Type</b>	<b>Power Watts</b>	<b>Amps</b>	<b>Airflow L/sec.</b>	<b>Vacuum</b>
	240V/50Hz	By-Pass	1050	5	46 l/s	185mbar
<b>(AIR) REQUIREMENTS FOR PNEUMATIC TOOLS</b>						
<b>Compressor Size</b>		<b>Air Line Size</b>		<b>Input Air Pressure / Bar</b>		<b>Suction Hose for Sander</b>
5 HP		1 X 0.25"		80 psi / 5.5		Ø1.25" (Ø32mm)
<b>FILTERS</b>						
Paper filter bags (package of 5) disposable, recovery capacity 5 gal. (19 litres)						
Main filter washable, 1 micron efficiency, 5ft <sup>2</sup> (4,643cm <sup>2</sup> )						
Absolute HEPA filter (H13) efficiency % @ MPPS 0.3µm Method EN1822. (Disposable) 6.7ft <sup>2</sup> (6,220cm <sup>2</sup> )						
HEPA/ULPA filter meets: US MIL-STD 282 & IEC 60335-2-69						

## SPECIAL FEATURES

- Electrically operated vacuum cleaner system.
- A variety of dustless (vacuum assisted) hand tools are available for use with Tiger-Vac sanding kit vacuum cleaners. This point of generation dust control is an effective and efficient means for capturing toxic substances such as: lead, cadmium, strontium, chromium, zinc, and barium.
- HEPA filter efficiency of 99.99% on 0.3 micron. Filters are manufactured and tested in accordance with IES-RP-CC 001.3. (ULPA filter efficiency of 99.999% on 0.12 micron - optional).
- Start up sandpaper kit, pre-punched, 5 each of 80, 100, 120, 180 and 200 grits. Other grits available upon request.