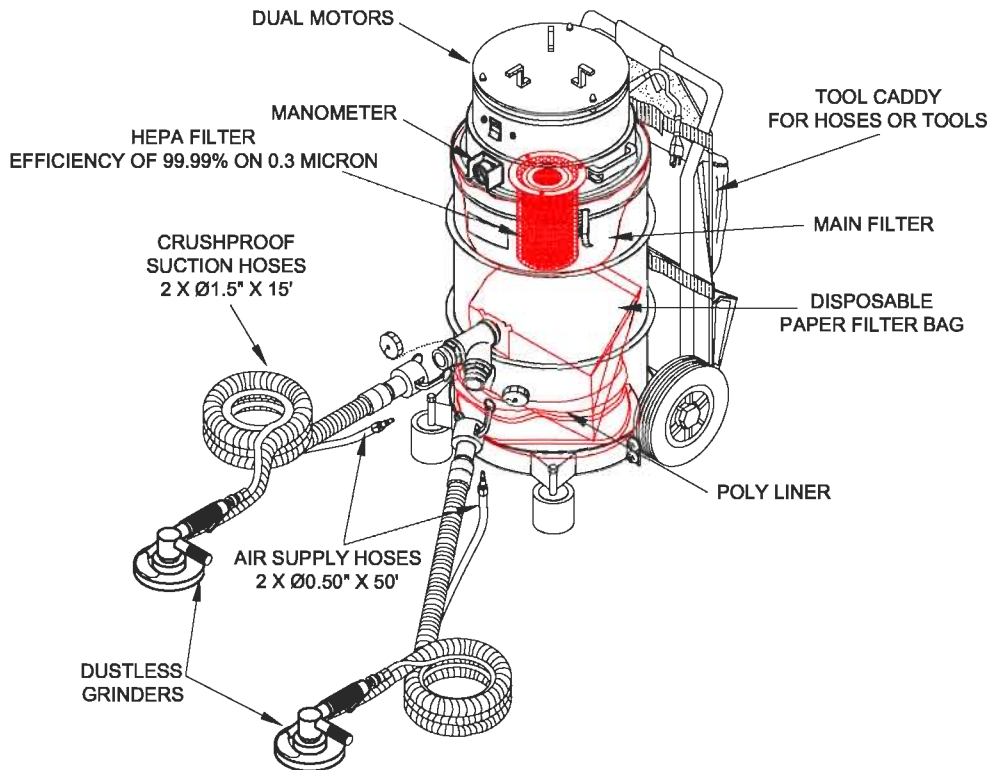




Tiger-Vac®



ELECTRICALLY OPERATED, SANDING KIT (SK) FOR DUST CONTROL
 HEPA FILTER EFFICIENCY OF 99.99% @ 0.3 MICRON
 MODEL: 4D-17 (i) 2W SK (NAVY) HEPA
 NSN: 7910-01-484-5601



SPECIFICATIONS & PERFORMANCES

MOTOR (I)	Voltage	Type	Power	Amps	Airflow CFM	Vacuum
	120V 50/60Hz	By Pass	1600 Watts	13.5	190 CFM	80 H ₂ O
MOTOR (F)	Voltage	Type	Power	Amps	Airflow LS	Vacuum
	230V	By Pass	2100 Watts	10	96 l/s	2100mm H ₂ O

(AIR) REQUIREMENTS FOR PNEUMATIC TOOLS

Compressor Size	Air Line Size	Input Air Pressure / Bar	Suction Hoses for Sanders
10 HP	2 X 0.50"	80 psi / 5.5	2 X Ø1.50" (2 X Ø38mm)

FILTERS

Paper filter bags (package of 5) disposable, recovery capacity 5 gal. (19 Litres)
 Main filter washable, 1 micron efficiency, 5ft² (4,643cm²)
 Poly liner (package of 5)
 Absolute HEPA filter (H13) efficiency % @ MPPS 0.3µm Method EN1822. (Disposable) 20.4ft² (19,000cm²)
 HEPA/ULPA filter meets: US MIL-STD 282 & IEC 60335-2-69

SPECIAL FEATURES

- Electrically operated vacuum cleaner system, with dual motors, dual speed.
- Includes tool kit, grinders, abrasive discs, storage boxes, suction hoses and air line hoses and manometer as featured on page 1. This point of generation dust control is an effective and efficient means for capturing toxic substances such as: lead, cadmium, strontium, chromium, zinc, and barium.
- HEPA filter efficiency of 99.99% on 0.3 micron. Filters are manufactured and tested in accordance with IES-RP-CC 001.3. (ULPA filter efficiency of 99.999% on 0.12 micron - optional).
- Dual intake suction assembly

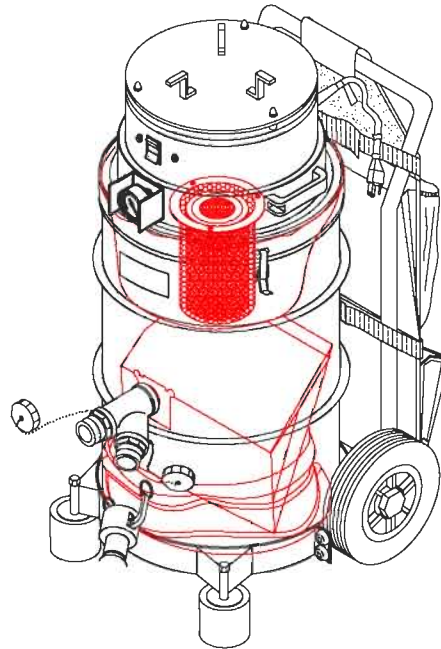
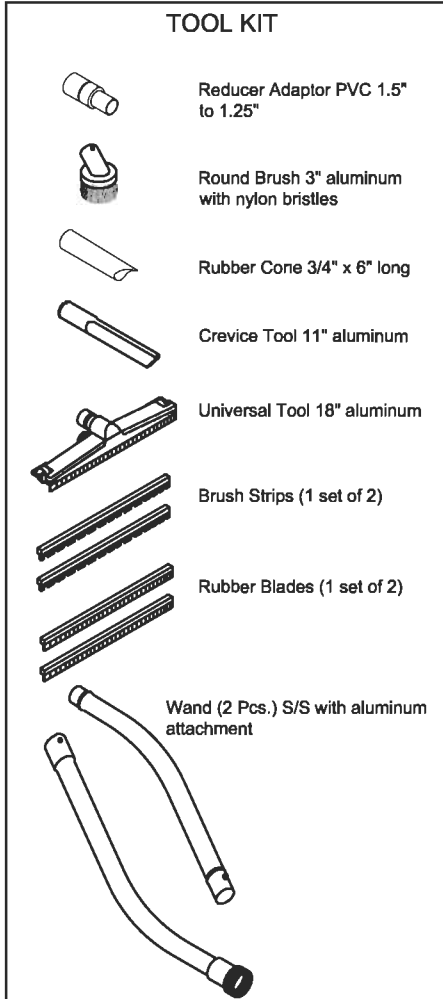


Tiger-Vac®

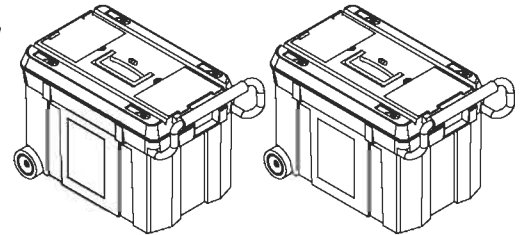


ELECTRICALLY OPERATED, SANDING KIT (SK) FOR DUST CONTROL
 HEPA FILTER EFFICIENCY OF 99.99% @ 0.3 MICRON
 MODEL: 4D-17 (i) 2W SK (NAVY) HEPA
 NSN: 7910-01-484-5601

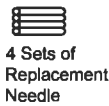
TOOL KIT



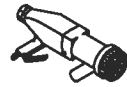
Tool Caddy



2 Tool Box



4 Sets of Replacement Needle



Needle Gun

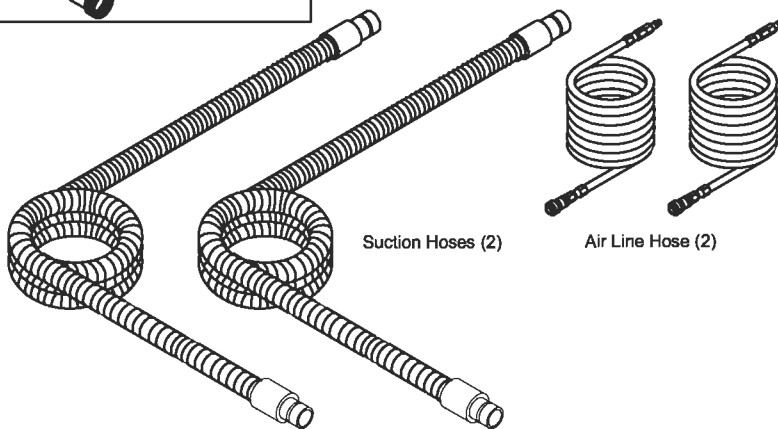


4 1/2" Grinder



7" Grinder (2)

Abrasives Discs (Aluminum Oxide)		
7" Discs		
Grit #60 (75 Pcs.)	Grit #80 (100 Pcs.)	Grit #120 (150 Pcs.)
4 1/2" Discs		
Grit #60 (75 Pcs.)	Grit #80 (100 Pcs.)	Grit #120 (150 Pcs.)



Suction Hoses (2)

Air Line Hose (2)

WARNING: not to be used to vacuum flammable or ignitable materials or dusts. Do not use this vacuum cleaner in hazardous locations. Please consult our technical representatives if an explosion proof / dust ignition proof vacuum cleaner is needed for hazardous locations

TIGER-VAC INC. (USA)
 73 S.W. 12 AVE. BLDG.1 UNIT #7
 DANIA, FL 33004
 Tel: (954) 925-3625 Fax: (954) 925-3626
 Toll Free Tel: 1-800-668-4437
 Toll Free Fax: 1-800-668-4439
 E-mail: sales@tiger-vac.com
 Web-site: http://www.tiger-vac.com

TIGER-VAC INTERNATIONAL INC.
 2020 Dagenais Blvd. West, Laval, Quebec
 H7L 5W2 CANADA
 Tel: 450/622-0100 Fax: 450/625-3388
 Toll Free Tel: 1-800-668-4437
 Toll Free Fax: 1-800-668-4439
 E-mail: support@tiger-vac.com
 Web-site: http://www.tiger-vac.com

TIGER-VAC EUROPA S.R.L.
 Zona Industriale Ponte Rizzoli
 Ozzano Emilia BOLOGNA
 ITALIA
 Tel: (39) 333 6529535
 Fax: (39) 051 5872904
 E-mail: info@tiger-vac.it
 Web-site: http://www.tiger-vac.com