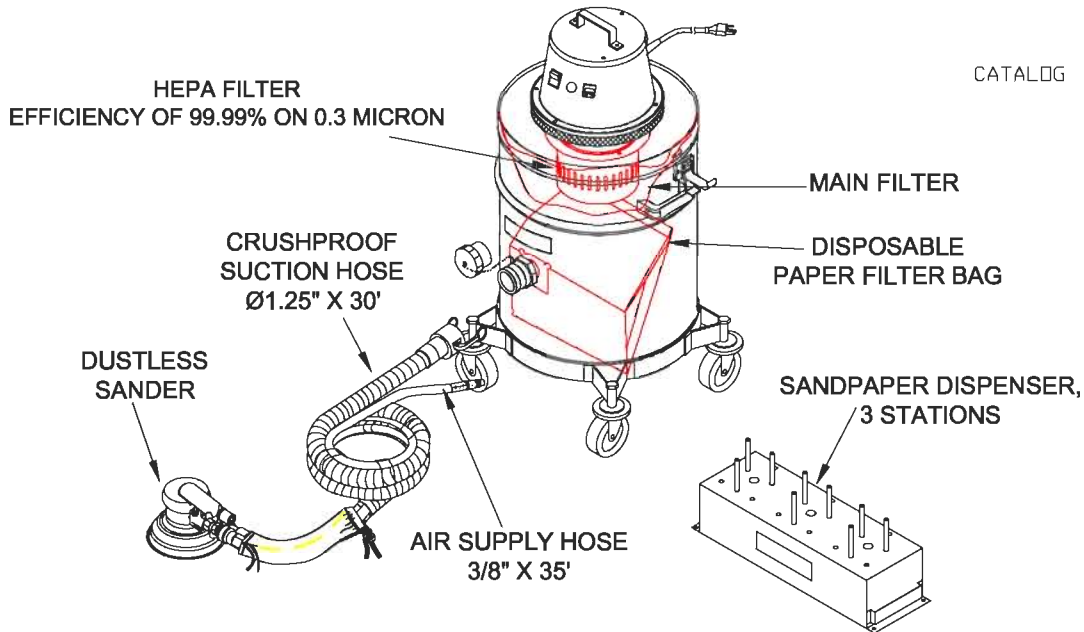


Tiger-Vac®



ELECTRICALLY OPERATED, SANDING KIT (SK) FOR DUST CONTROL
 HEPA FILTER EFFICIENCY OF 99.99% @ 0.3 MICRON
 MODEL: 2D-14 (4W) SK HEPA

CATALOG



SPECIFICATIONS & PERFORMANCES

MOTOR (A)	Voltage @ 60 Hz	Type	Power Watts	Amps	Airflow (CFM)	Vacuum
	120V/60Hz	By-Pass	1200	10.5	110	110" H ₂ O
MOTOR (F)	Voltage @ 50 Hz	Type	Power Watts	Amps	Airflow L/sec.	Vacuum
	240V/50Hz	By-Pass	1050	5	48	2100mm H ₂ O
(AIR) REQUIREMENTS FOR PNEUMATIC TOOLS						
Compressor Size	Air Line Size	Input Air Pressure / Bar	Suction Hose for Sander			
5 HP	1 X 0.25"	80 psi / 5.5	Ø1.25" (Ø32mm)			
FILTERS						
Paper filter bags (package of 5) disposable, recovery capacity 5 gal. (19 litres)						
Main filter washable, 1 micron efficiency, 5ft ² (4,643cm ²)						
Absolute HEPA filter (H13) efficiency % @ MPPS 0.3µm Method EN1822. (Disposable) 6.7ft ² (6,220cm ²)						
HEPA/ULPA filter meets: US MIL-STD 282 & IEC 60335-2-69						

SPECIAL FEATURES

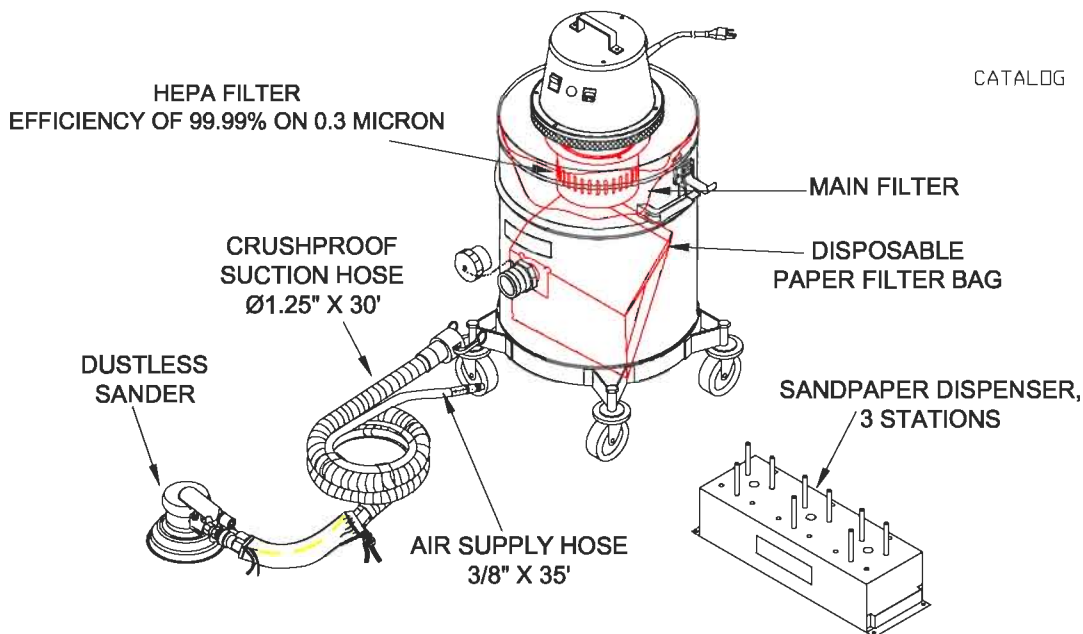
- Electrically operated vacuum cleaner system.
- A variety of dustless (vacuum assisted) hand tools are available for use with Tiger-Vac sanding kit vacuum cleaners. This point of generation dust control is an effective and efficient means for capturing toxic substances such as: lead, cadmium, strontium, chromium, zinc, and barium.
- HEPA filter efficiency of 99.99% on 0.3 micron. Filters are manufactured and tested in accordance with IES-RP-CC 001.3. (ULPA filter efficiency of 99.999% on 0.12 micron - optional).
- Start up sandpaper kit, pre-punched, 5 each of 80, 100, 120, 180 and 200 grits. Other grits available upon request.

Tiger-Vac®



ELECTRICALLY OPERATED, SANDING KIT (SK) FOR DUST CONTROL
 HEPA FILTER EFFICIENCY OF 99.99% @ 0.3 MICRON
 MODEL: 2D-14 (4W) SK HEPA

CATALOG



SPECIFICATIONS & PERFORMANCES

MOTOR (A)	Voltage @ 60 Hz	Type	Power Watts	Amps	Airflow (CFM)	Vacuum
	120V/60Hz	By-Pass	1200	10.5	110	110" H ₂ O
MOTOR (F)	Voltage @ 50 Hz	Type	Power Watts	Amps	Airflow L/sec.	Vacuum
	240V/50Hz	By-Pass	1050	5	48	2100mm H ₂ O
(AIR) REQUIREMENTS FOR PNEUMATIC TOOLS						
Compressor Size	Air Line Size	Input Air Pressure / Bar	Suction Hose for Sander			
5 HP	1 X 0.25"	80 psi / 5.5	Ø1.25" (Ø32mm)			
FILTERS						
Paper filter bags (package of 5) disposable, recovery capacity 5 gal. (19 litres)						
Main filter washable, 1 micron efficiency, 5ft ² (4,643cm ²)						
Absolute HEPA filter (H13) efficiency % @ MPPS 0.3µm Method EN1822. (Disposable) 6.7ft ² (6,220cm ²)						
HEPA/ULPA filter meets: US MIL-STD 282 & IEC 60335-2-69						

SPECIAL FEATURES

- Electrically operated vacuum cleaner system.
- A variety of dustless (vacuum assisted) hand tools are available for use with Tiger-Vac sanding kit vacuum cleaners. This point of generation dust control is an effective and efficient means for capturing toxic substances such as: lead, cadmium, strontium, chromium, zinc, and barium.
- HEPA filter efficiency of 99.99% on 0.3 micron. Filters are manufactured and tested in accordance with IES-RP-CC 001.3. (ULPA filter efficiency of 99.999% on 0.12 micron - optional).
- Start up sandpaper kit, pre-punched, 5 each of 80, 100, 120, 180 and 200 grits. Other grits available upon request.